

Modul 7

Python Match Operations

1. Basics of Operators

Operators are symbols that tell the compiler to perform specific mathematical or logical manipulations. In this tutorial , we will try to cover the most commonly used operators in programming.

Arithmetic Operators:

Symbol	Operation	Usage	Explanation
+	addition	x+y	Adds values on either side of the operator
-	subtraction	x-y	Subtracts the right hand operand from the left hand operand
*	multiplication	x*y	Multiplies values on either side of the operator
/	division	x/y	Divides the left hand operand by the right hand operand
%	modulus	x%y	Divides the left hand operand by the right hand operand and returns remainder

2. Relational Operators

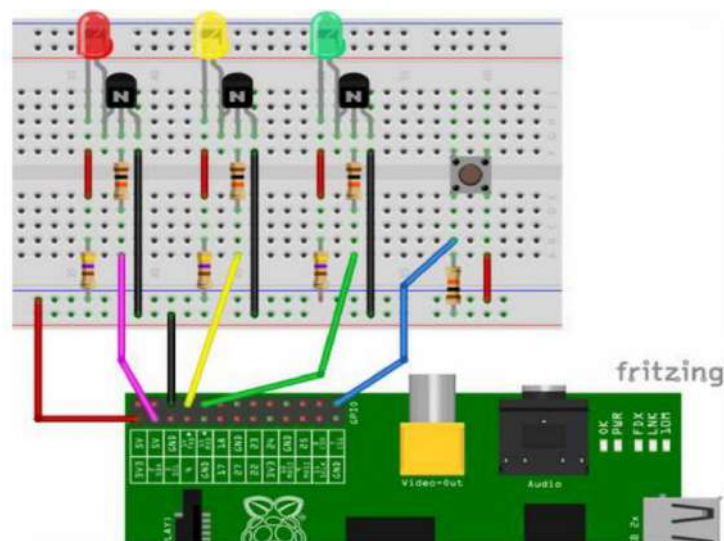
These operators are used for comparison. They return either true or false based on the comparison result. The operator '==' should not be confused with '='. The relational operators are as follows:

Symbol	Operation	Usage	Explanation
==	equal	x == y	Checks if the values of two operands are equal or not, if yes then condition becomes true.
!=	not equal	x != y	Checks if the values of two operands are equal or not, if values are not equal then condition becomes true.
>	greater than	x > y	Checks if the value of the left operand is greater than the value of the right operand, if yes then condition becomes true
<	less than	x < y	Checks if the value of the left operand is less than the value of the right operand, if yes then condition becomes true.
>=	greater than or equal	x >= y	Checks if the value of the left operand is greater than or equal to the value of the right operand, if yes then condition becomes true.
<=	less than or equal	x <= y	Checks if the value of the left operand is less than or equal to the value of the right operand, if yes then condition becomes true.

JOB SHEET 7

Lakukan perakitan komponen pada gambar di bawah ini dan gunakan script program Python untuk menghidupkan LED dengan ketentuan:

1. No Button pressed – permanently red (yellow and green off).
2. Button is pressed – red and yellow light up, duration: 3 seconds
3. Change to green (red and yellow off), duration: 15 seconds.



LAPORAN HASIL PERCOBAAN: