

Bahan Ajar

Chapter 6



Materi Pembelajaran

Matakuliah :

DESAIN DAN SIMULASI RANGKAIAN ELEKTRONIKA

Kode Matakuliah : SKO 20425

Prodi : SISTEM KOMPUTER

Dosen Pengampu Matakuliah:

Bayu Nugroho, S.Kom., M.Eng

Tables of Content

BCD (Binary Coded Decimal)

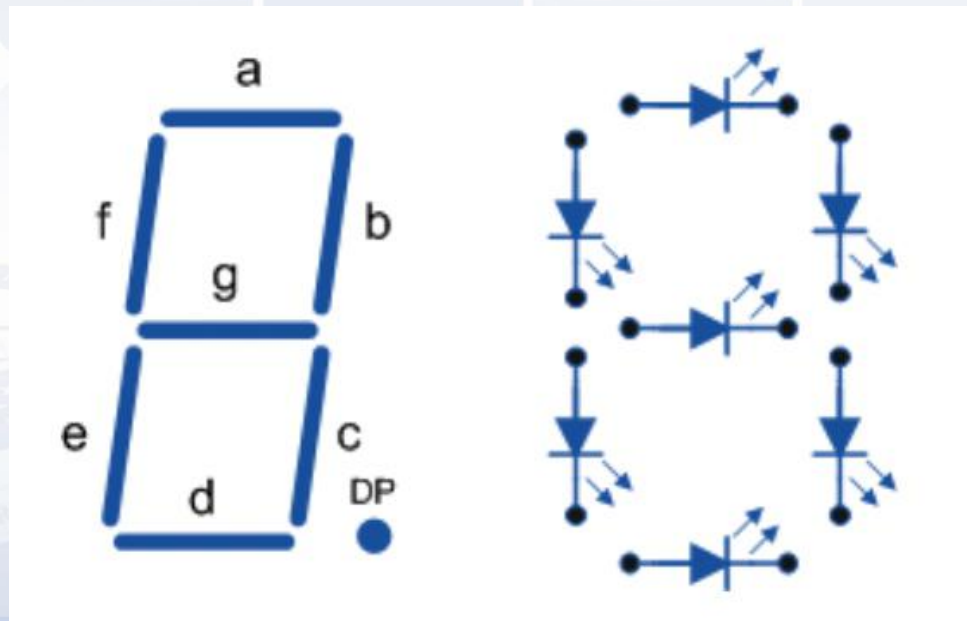
- 7 Segment
- CC & CA
- BCD to 7 Segment Decoder
- Truth Table BCD 7-segment display
- Component Device

Tugas Mandiri



7 Segment

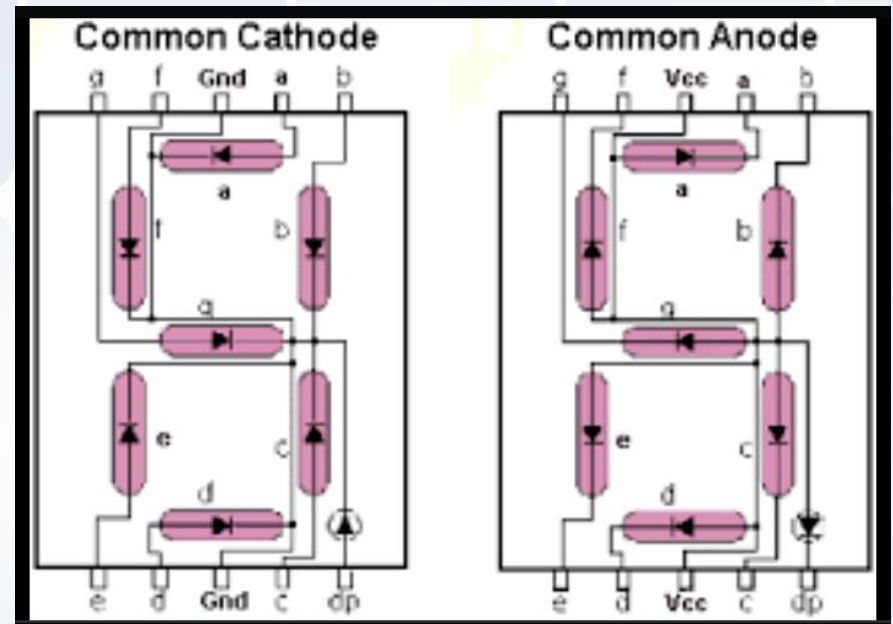
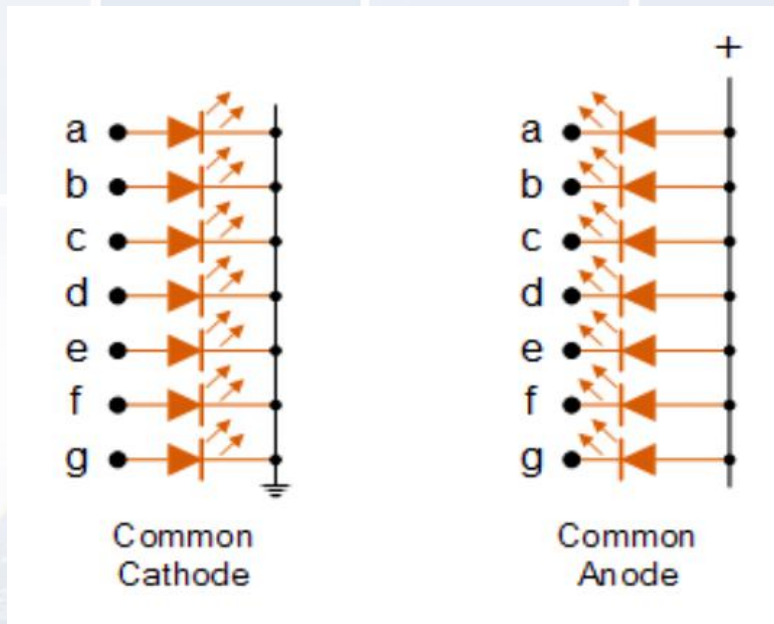
7-segment LED (Light Emitting Diode) displays, provide a very convenient way of displaying information or digital data in the form of numbers, letters or even alpha-numerical characters.



Chapter 6

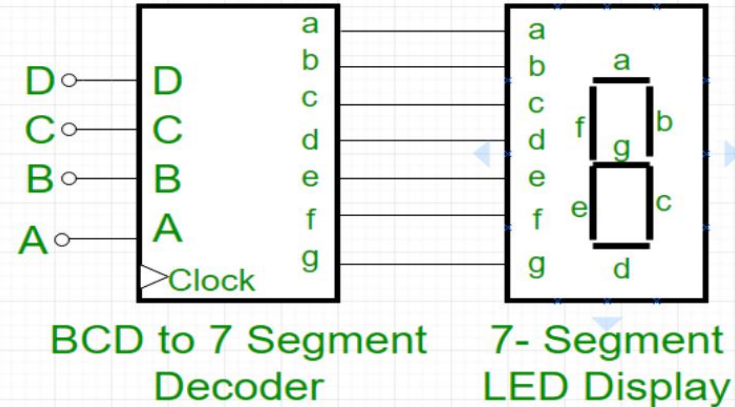
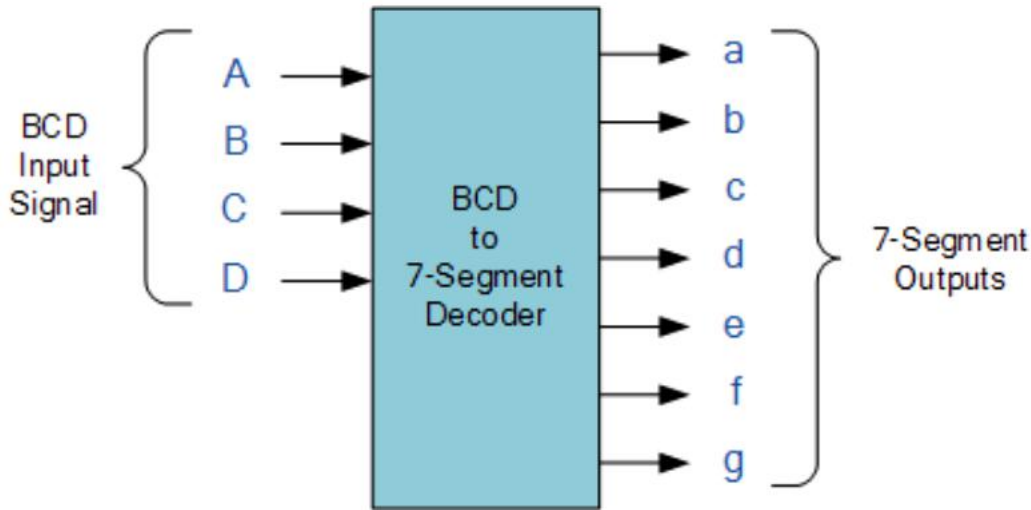
7 Segment

Common Cathode and Common Anode Format.



Chapter 6

BCD to 7 Segment Decoder



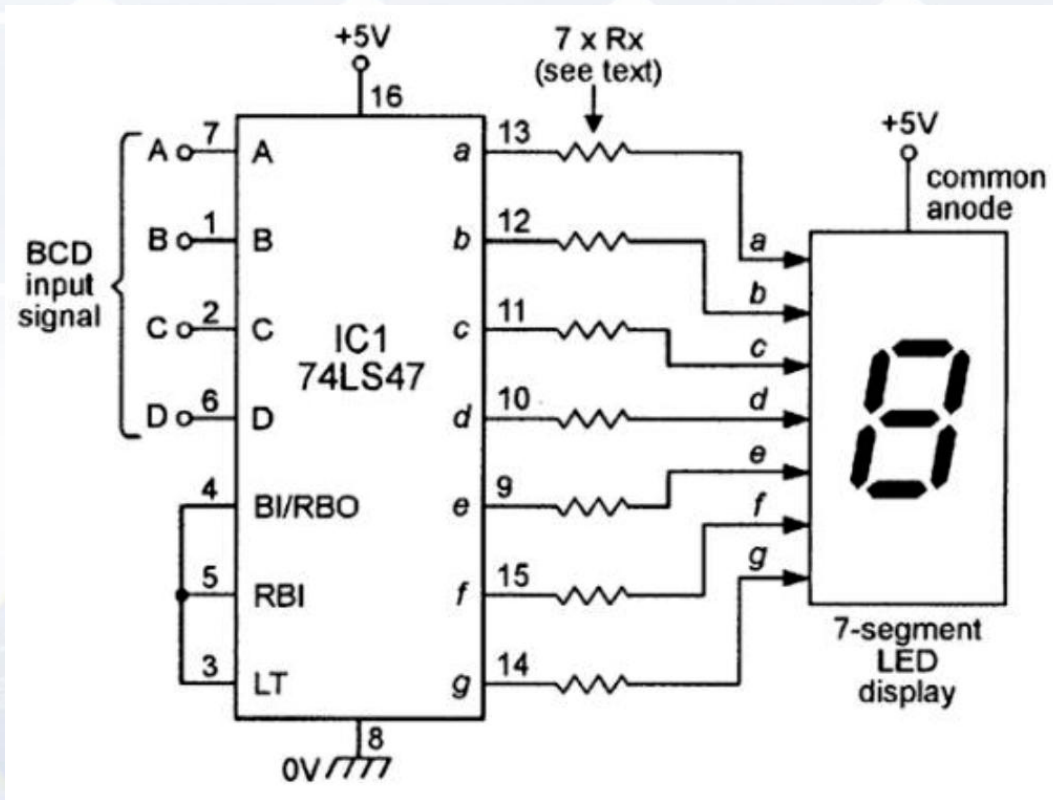
Chapter 6

Truth Table BCD to 7 Segment Decoder

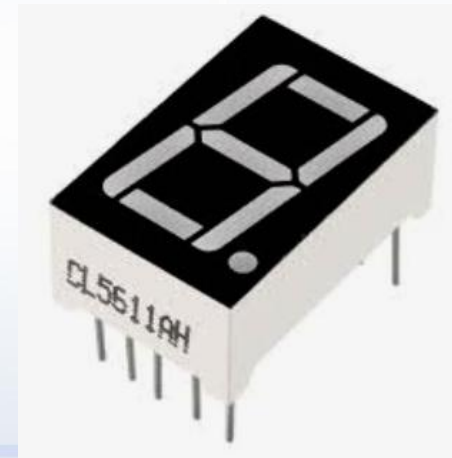
A	B	C	D	a	b	c	d	e	f	g
0	0	0	0	1	1	1	1	1	1	0
0	0	0	1	0	1	1	0	0	0	0
0	0	1	0	1	1	0	1	1	0	1
0	0	1	1	1	1	1	1	0	0	1
0	1	0	0	0	1	1	0	0	1	1
0	1	0	1	1	0	1	1	0	1	1
0	1	1	0	1	0	1	1	1	1	1
0	1	1	1	1	1	1	0	0	0	0
1	0	0	0	1	1	1	1	1	1	1
1	0	0	1	1	1	1	1	0	1	1

Chapter 6

Component Device



BCD to 7 Segment Decoder



Chapter 6

Tugas Mandiri (teori):

Lakukan pembuatan skema BCD 7-segment display menggunakan software simulator

Tugas Mandiri (prakt):

Lakukan Simulasi BCD 7-segment display menggunakan software simulator dan jelaskan hasil simulasi.

end

