



Materi Pembelajaran

Matakuliah :

Sensor dan Aktuator

Kode Matakuliah : SKO20419

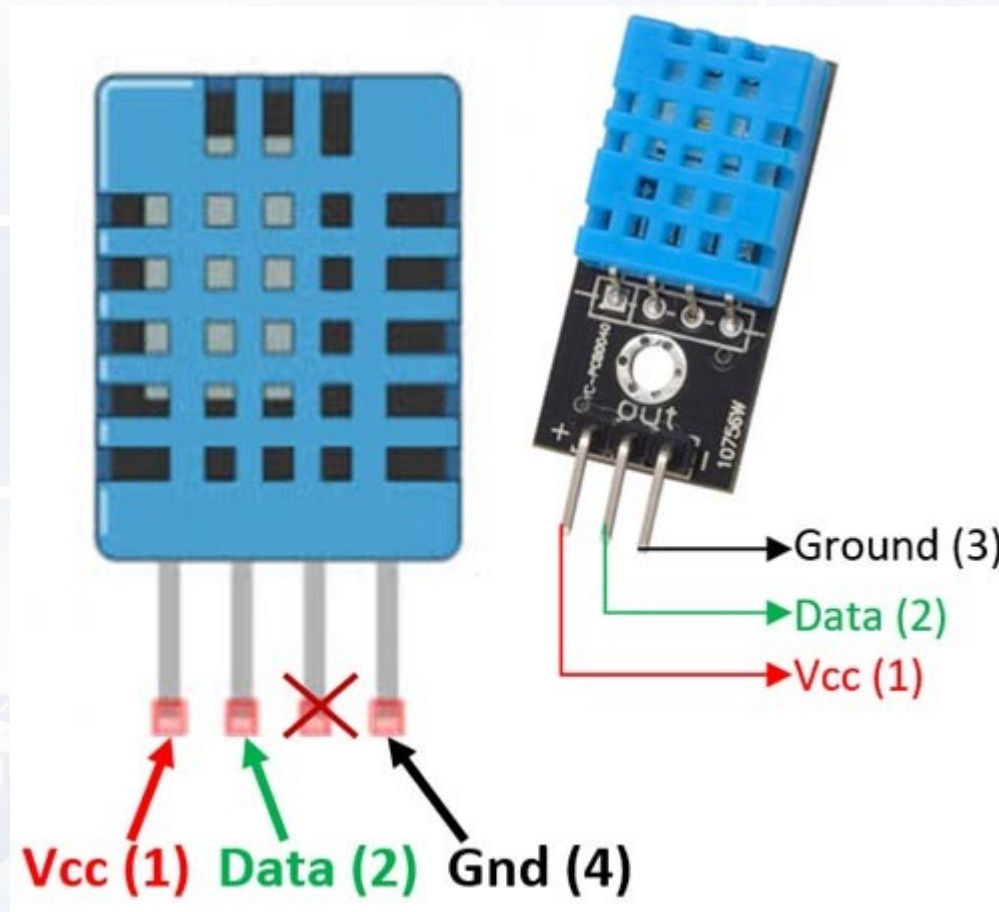
Prodi : SISTEM KOMPUTER

Dosen Pengampu Matakuliah:

Dodi Yudo Setyawan, S.Si., M.T.I

Menghitung karakteristik statik sensor dan aktuator





Item	Measurement Range	Humidity Accuracy	Temperature Accuracy	Resolution	Package
DHT11	20-90%RH 0-50 °C	±5%RH	±2°C	1	4 Pin Single Row



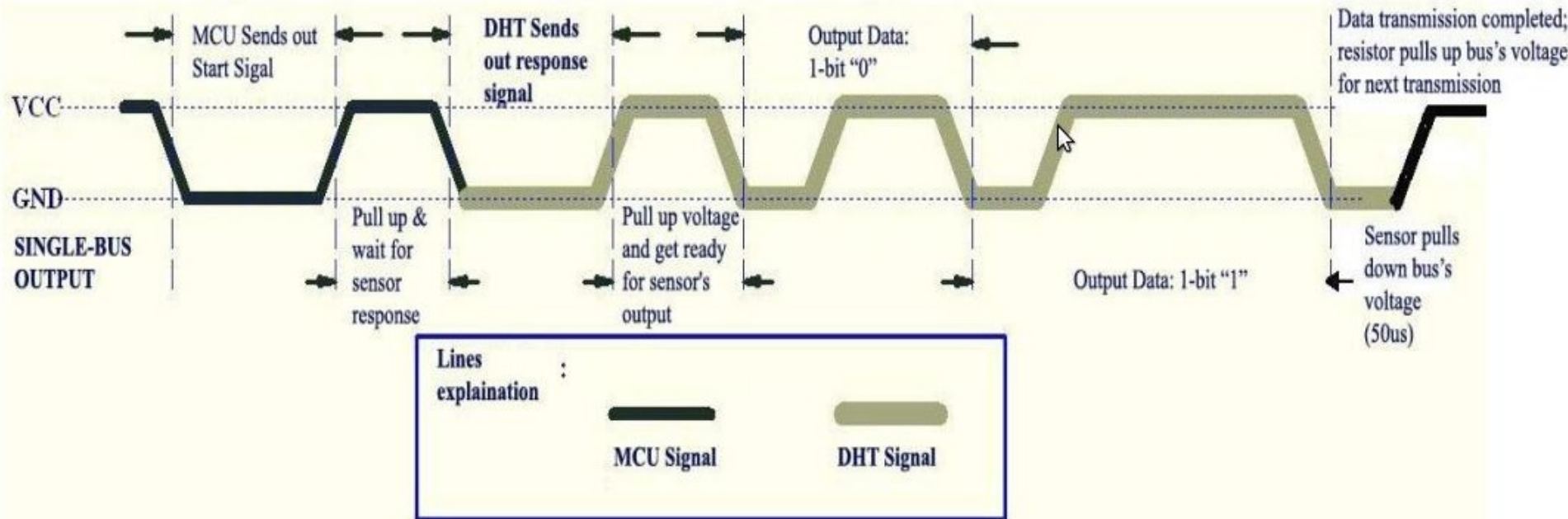
Parameters	Conditions	Minimum	Typical	Maximum
Humidity				
Resolution		1%RH	1%RH	1%RH
			8 Bit	
Repeatability			± 1%RH	
Accuracy	25 °C		± 4%RH	
	0-50 °C			± 5%RH
Interchangeability	Fully Interchangeable			
Measurement Range	0 °C	30%RH		90%RH
	25 °C	20%RH		90%RH
	50 °C	20%RH		80%RH
Response Time (Seconds)	1/e(63%)25 °C , 1m/s Air	6 S	10 S	15 S
Hysteresis			± 1%RH	
Long-Term Stability	Typical		± 1%RH/year	
Temperature				
Resolution		1 °C	1 °C	1 °C
		8 Bit	8 Bit	8 Bit
Repeatability			± 1 °C	
Accuracy		± 1 °C		± 2 °C
Measurement Range		0 °C		50 °C
Response Time (Seconds)	1/e(63%)	6 S		30 S

Data consists of decimal and integral parts. A complete data transmission is **40bit**, and the sensor sends **higher data bit** first.

Data format: 8bit integral RH data + 8bit decimal RH data + 8bit integral T data + 8bit decimal T data + 8bit check sum. If the data transmission is right, the check-sum should be the last 8bit of "8bit integral RH data + 8bit decimal RH data + 8bit integral T data + 8bit decimal T data".



Overall Communication Process



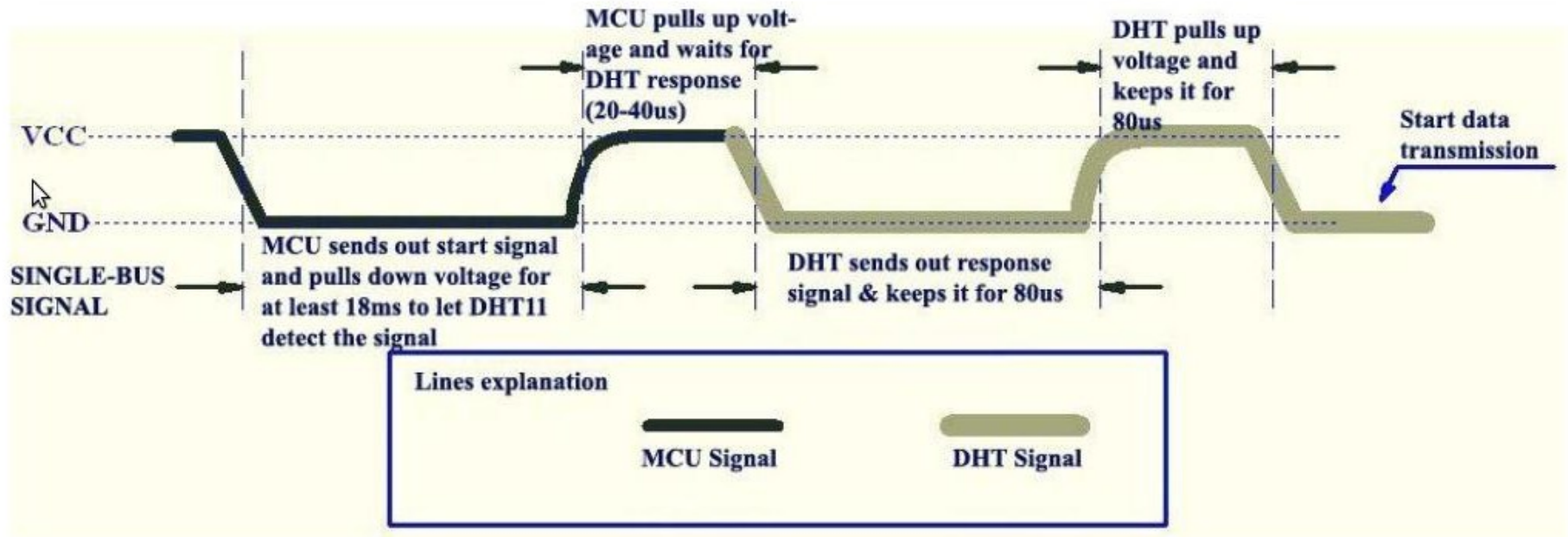


Figure 3 MCU Sends out Start Signal & DHT Responses



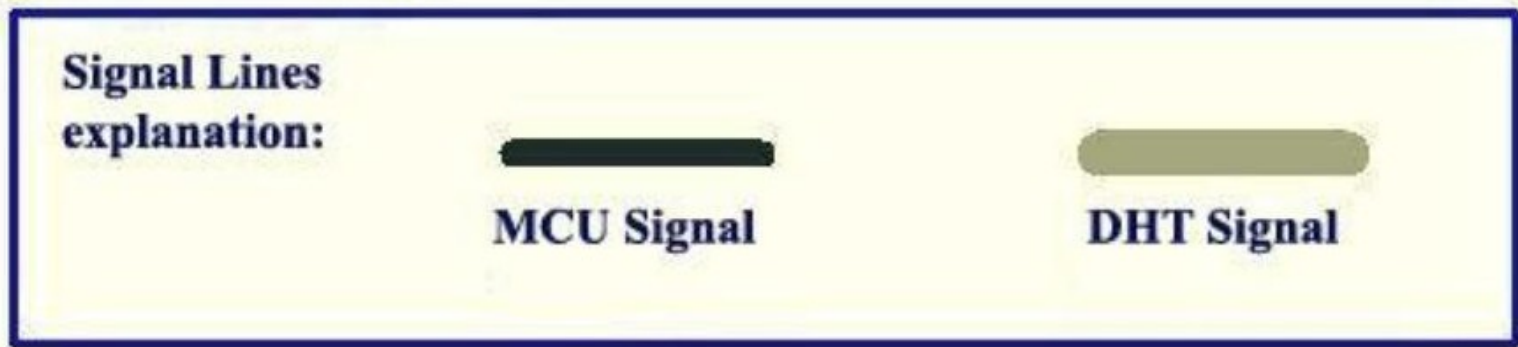
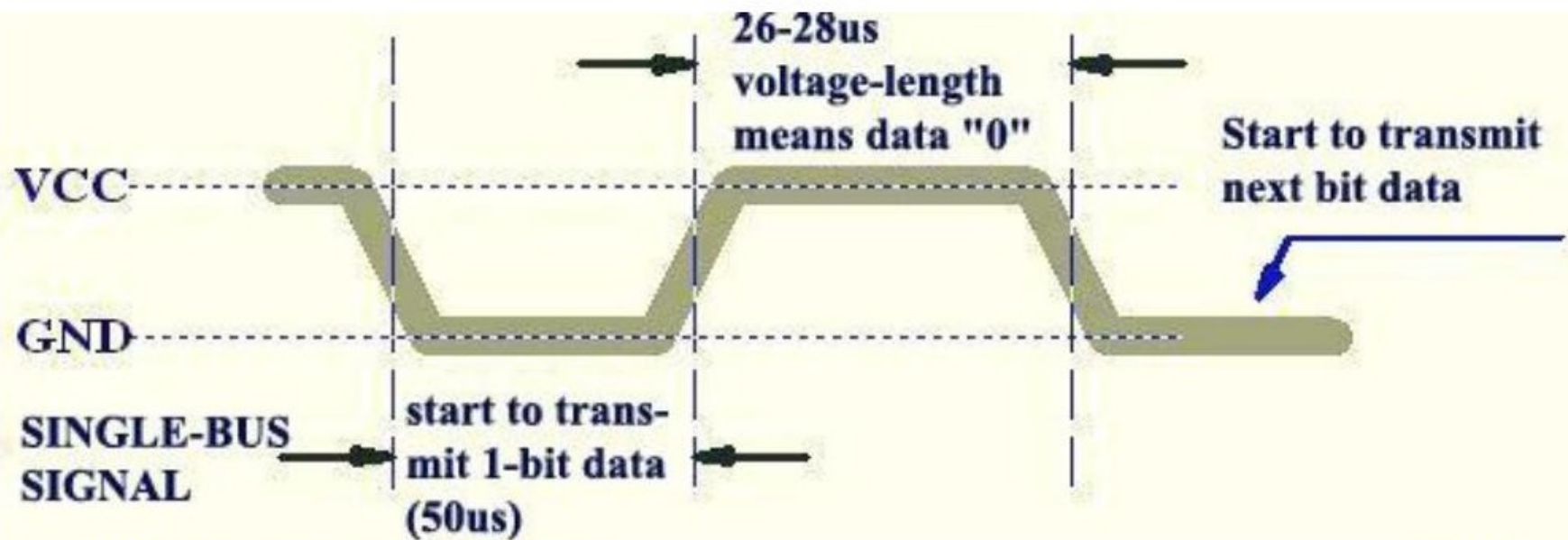


Figure 4 Data "0" Indication

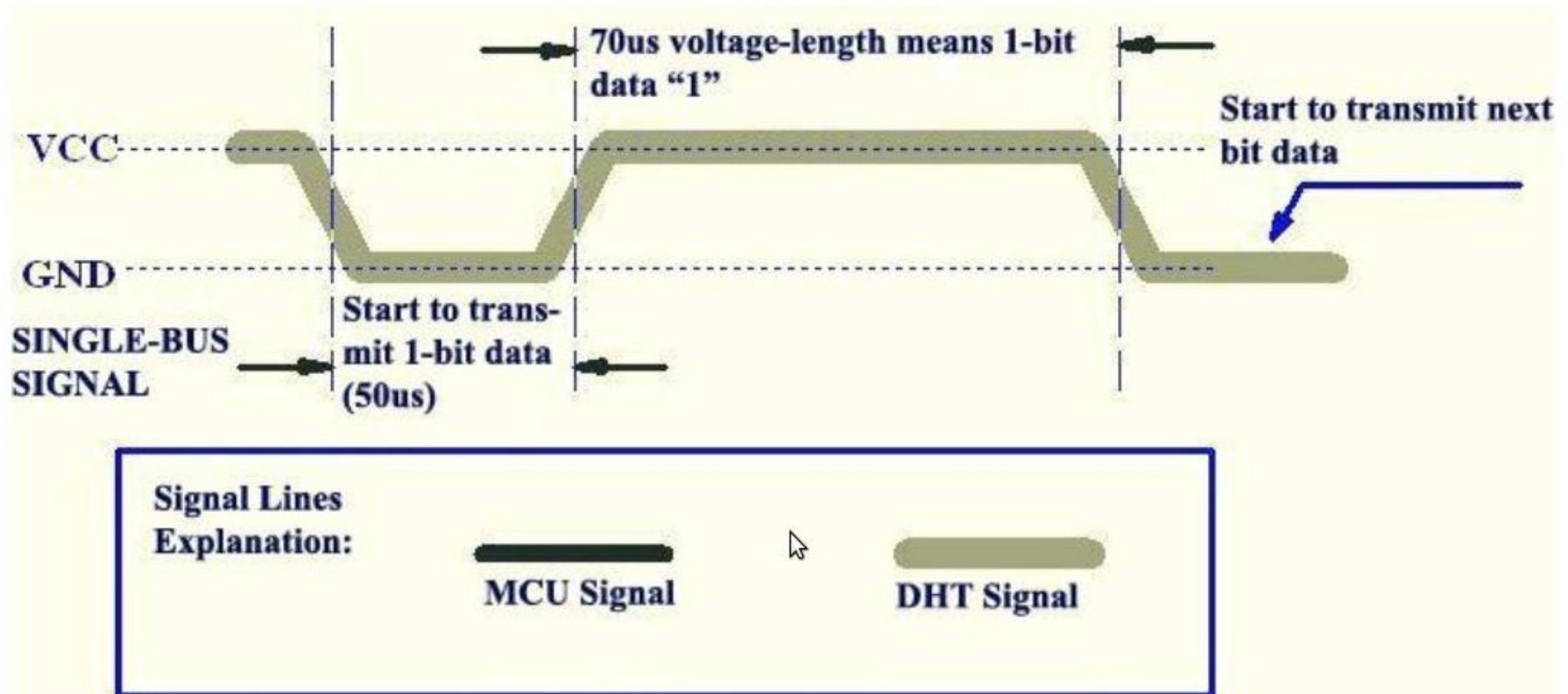


Figure 5 Data "1" Indication

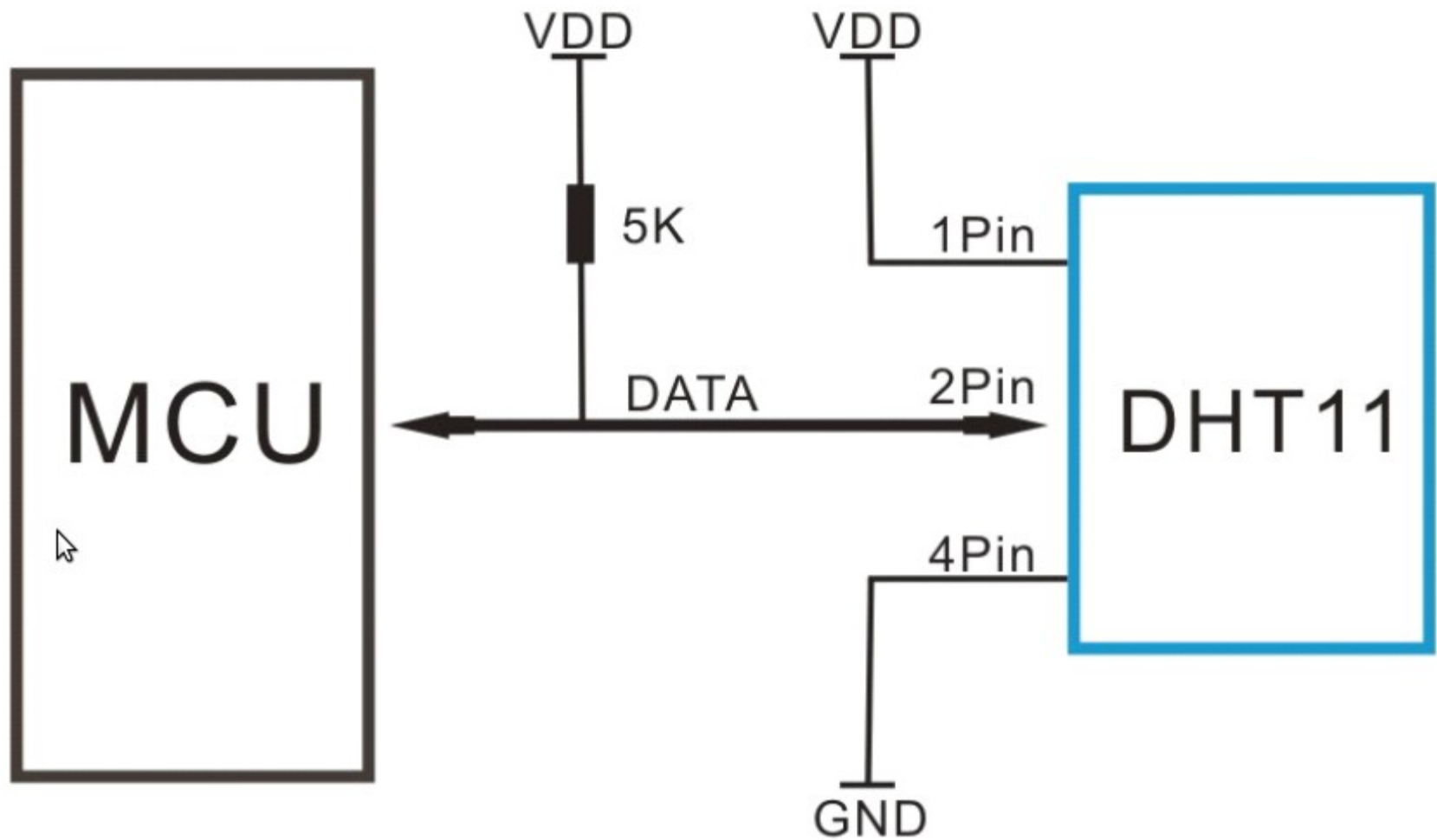


Figure 1 Typical Application

Terimakasih

