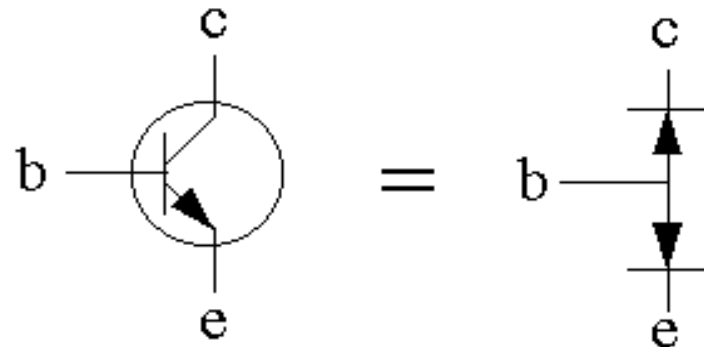
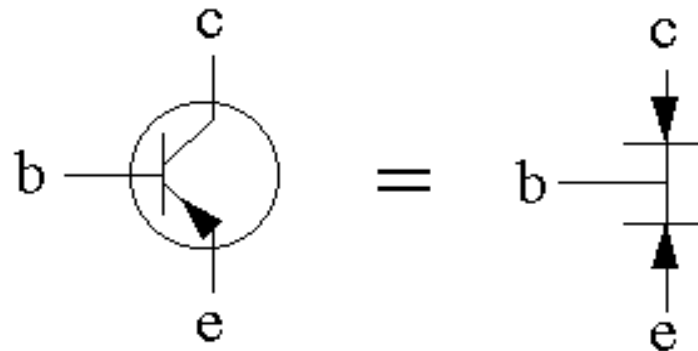


TRANSISTOR BIPOLAR

Simbol

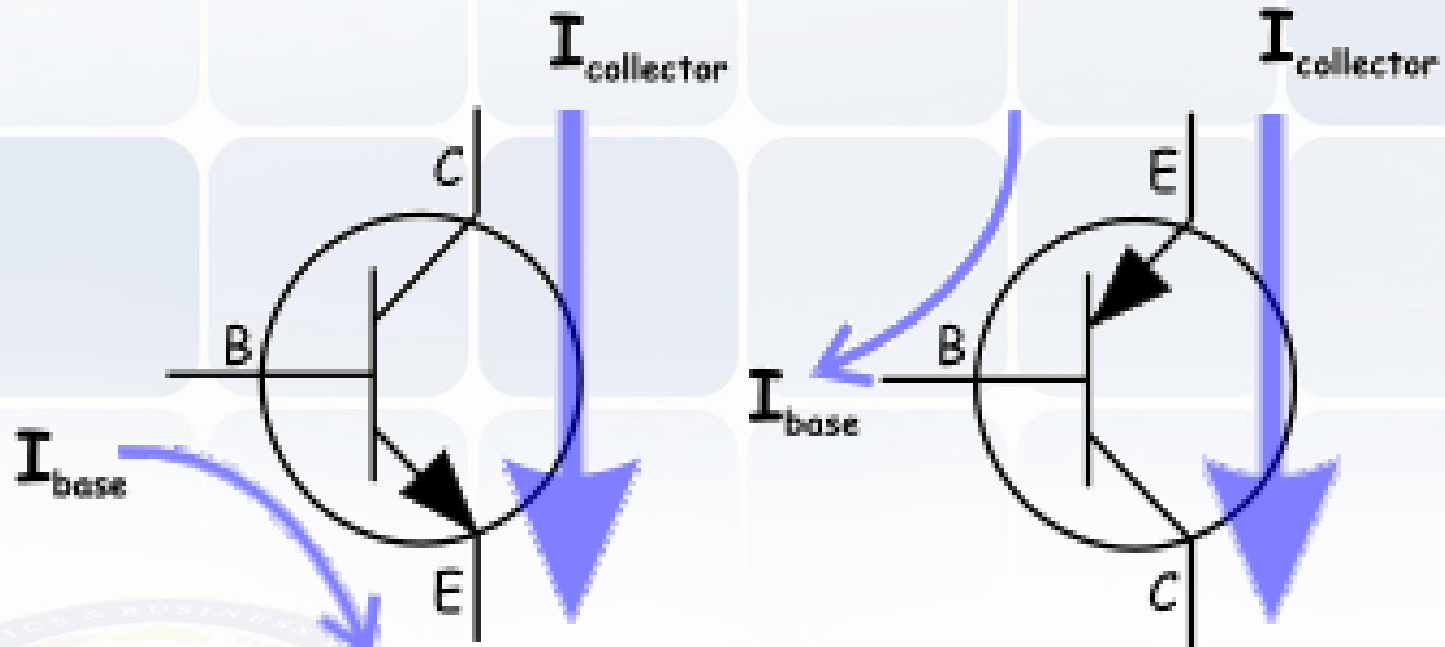


NPN

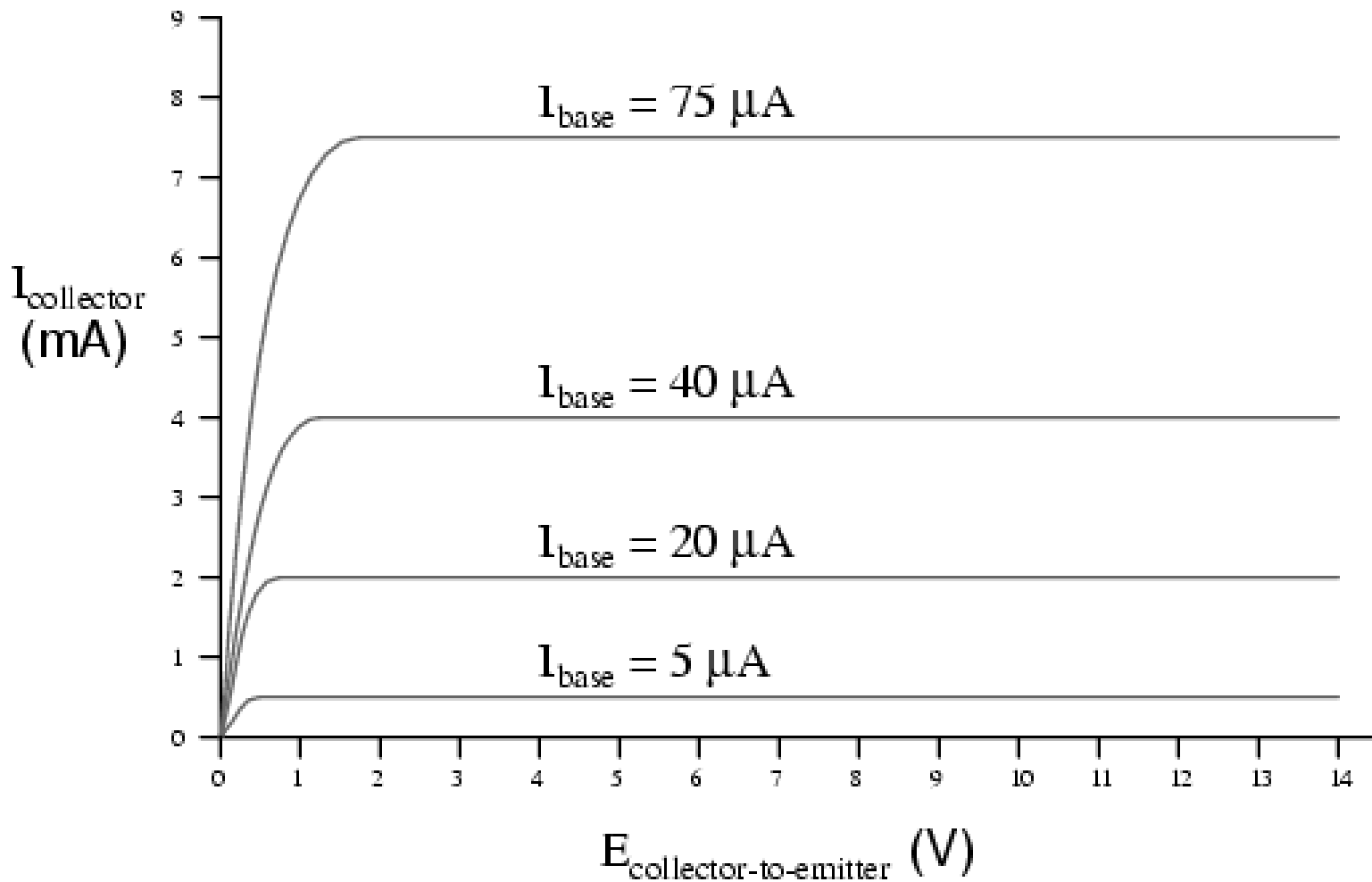


PNP

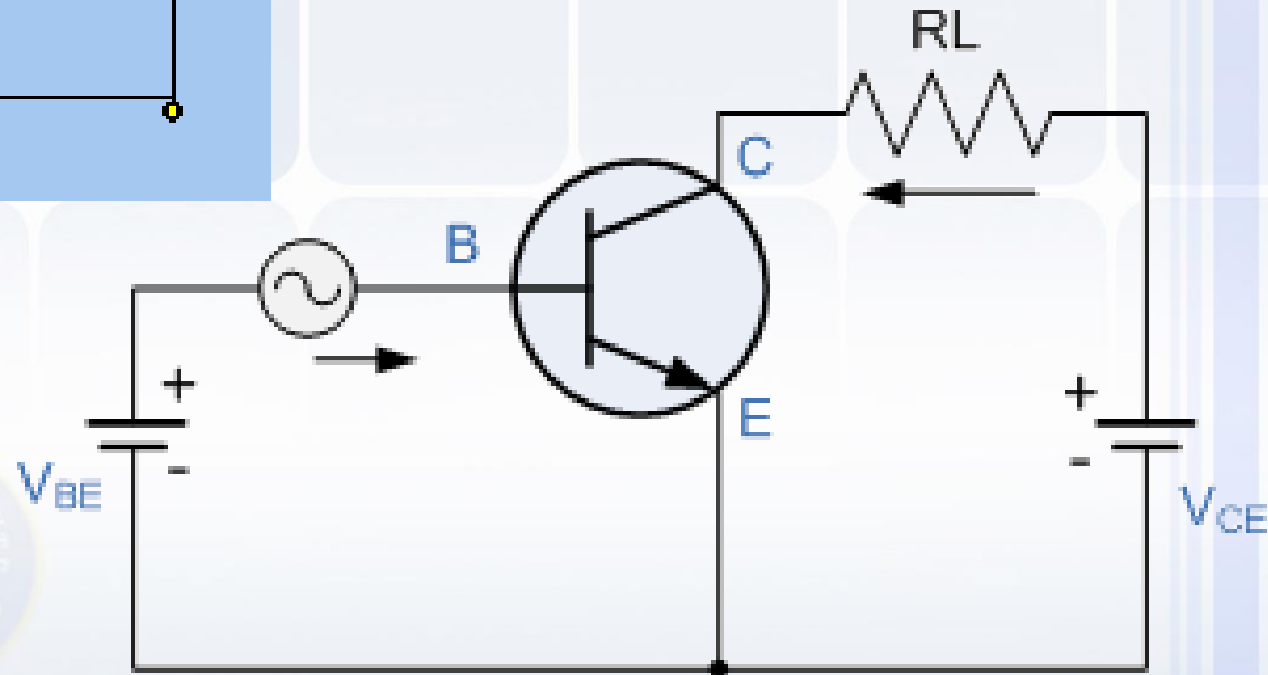
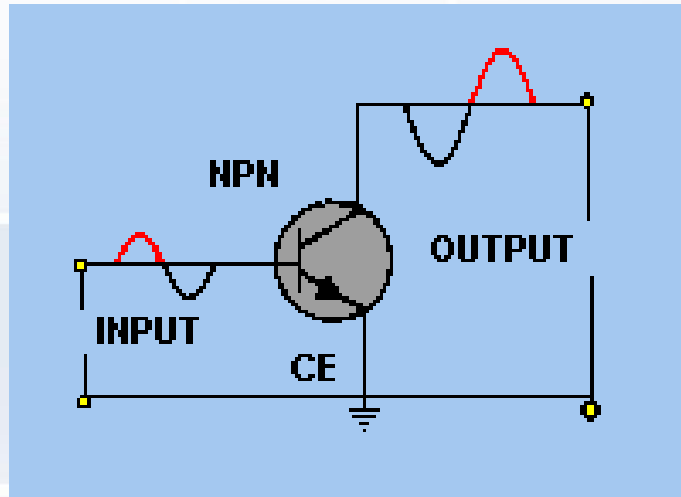
Prinsip Kerja

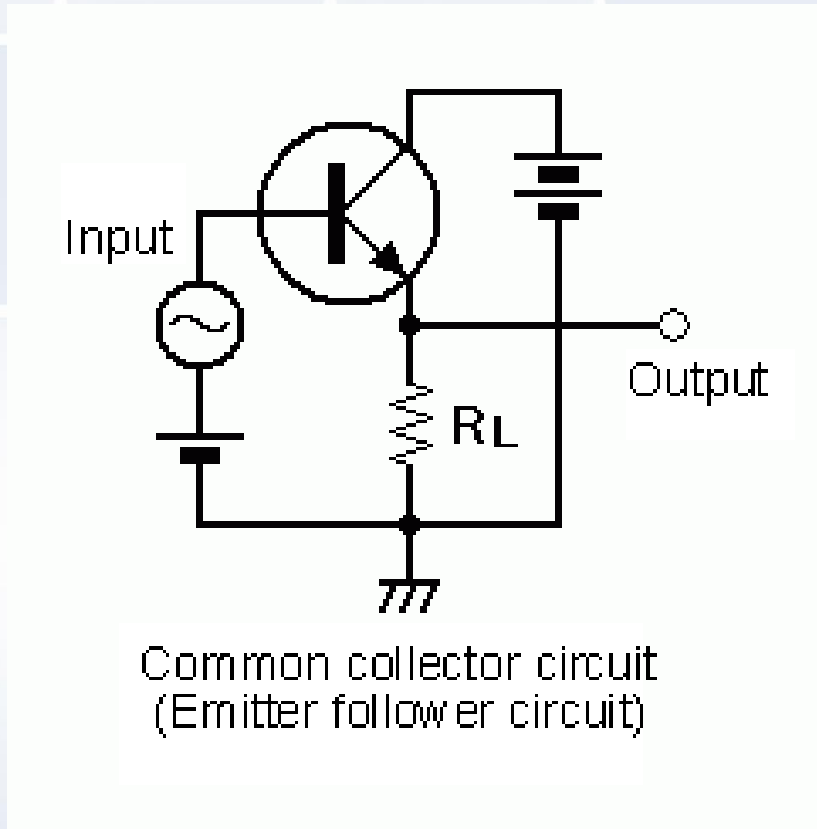
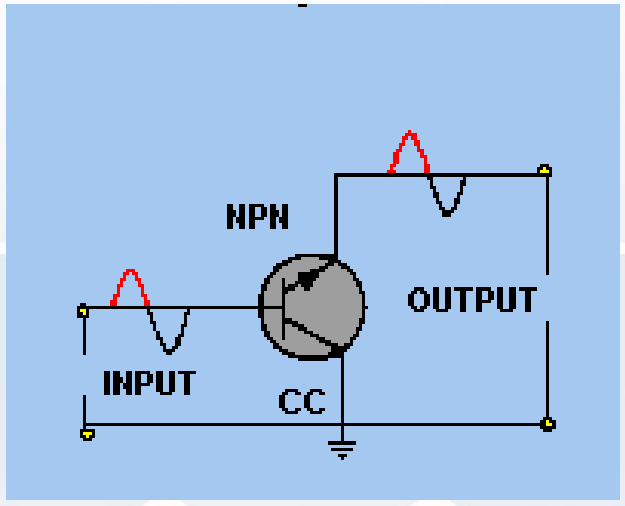


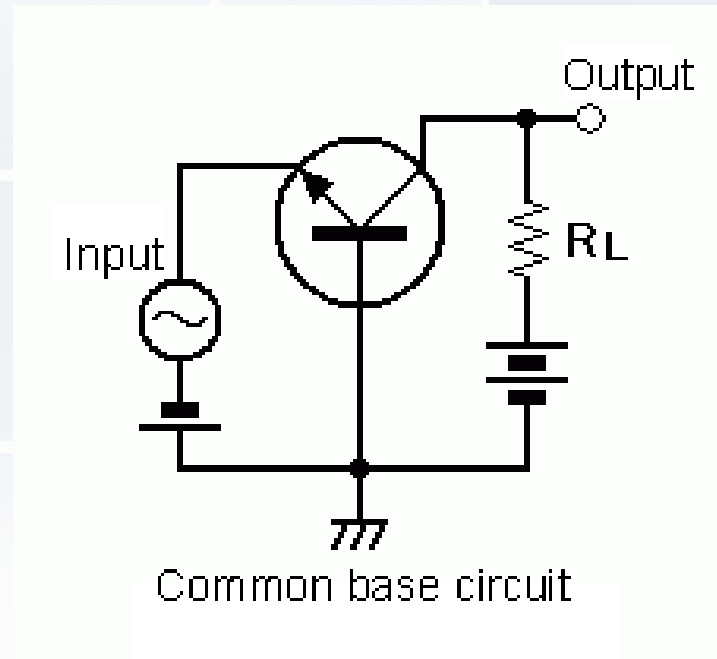
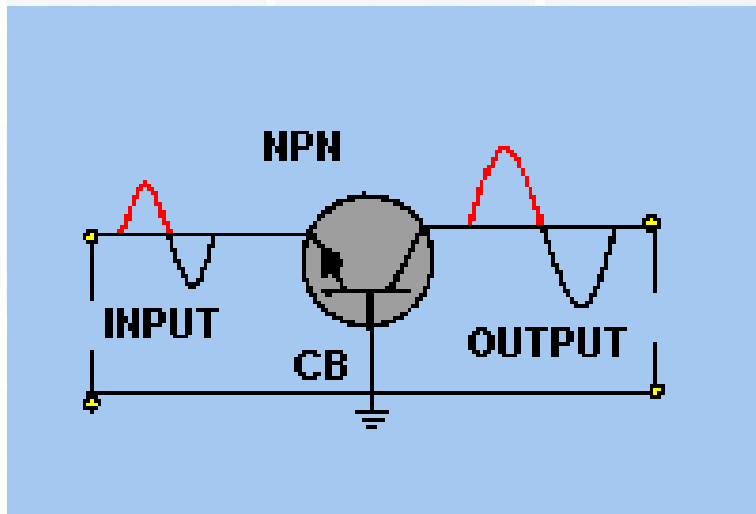
$$I_{collector} = H_{fe} * I_{base}$$



Konfigurasi Rangkaian



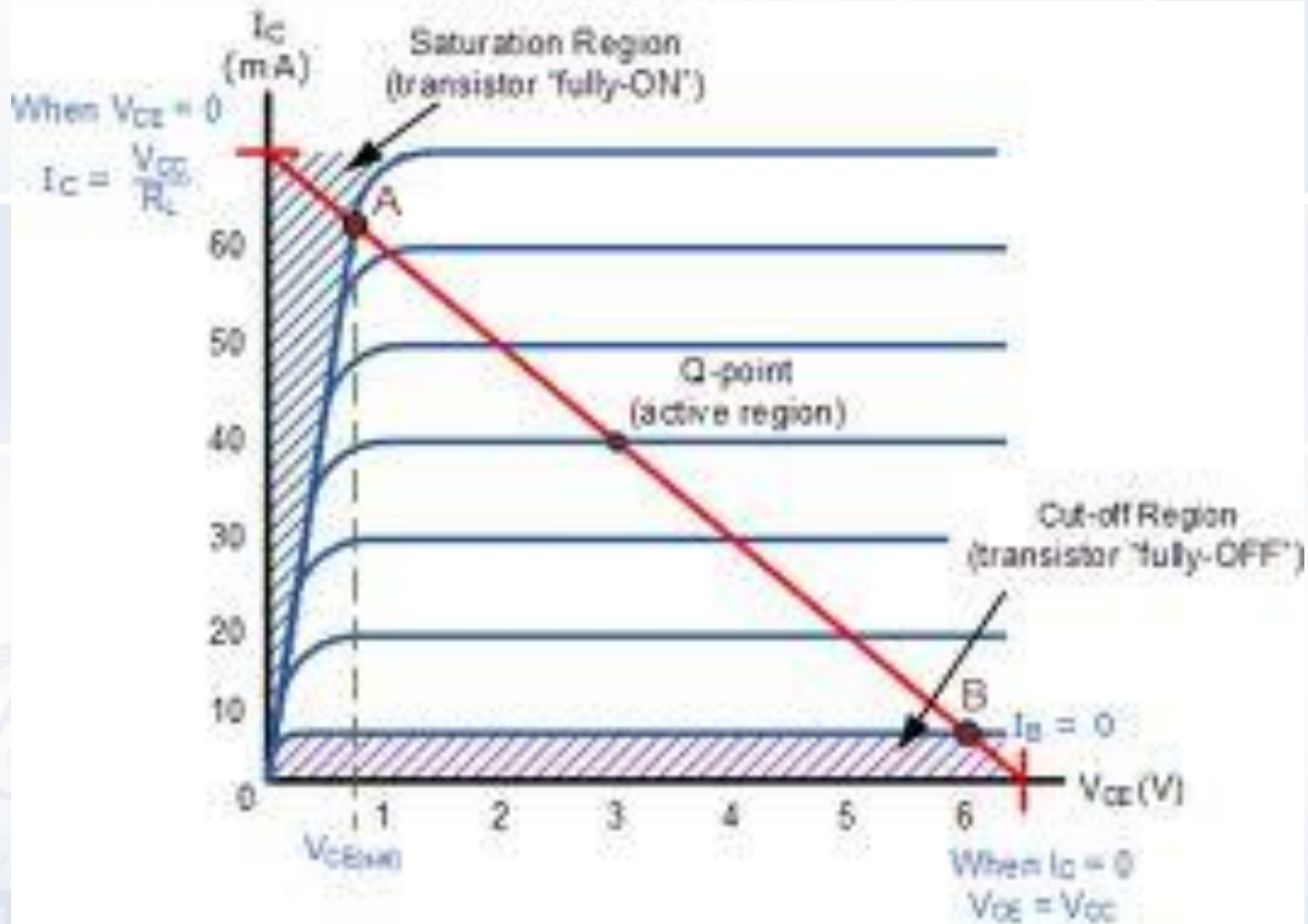




Common base circuit



Daerah Operasi



end

